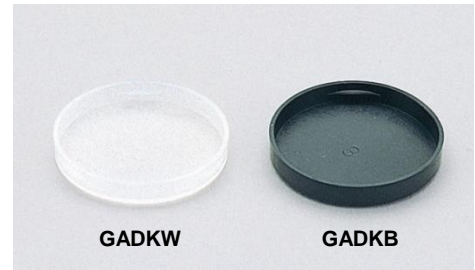
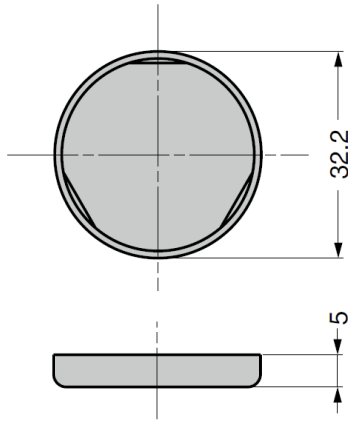


GADKW / GADKB Cover For GAD-501 / 502

Features

- Installed on the base of levelling glides **GAD-501**, **GAD-502** and **GAD-502-P2** to prevent scratching of floor

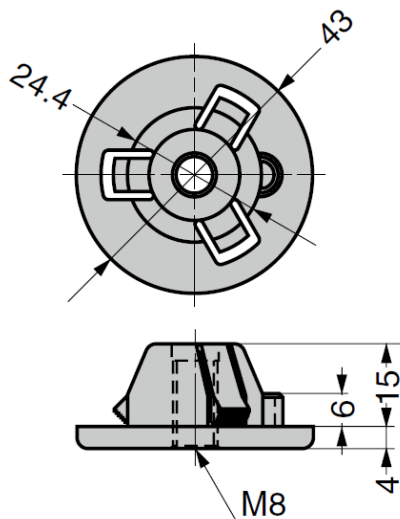


Part No.	Material	Colour
GADKW	PE	Natural (Semi-Transparent)
GADKB		Black

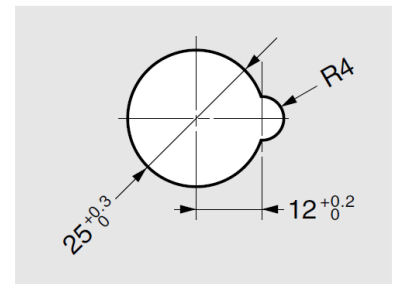
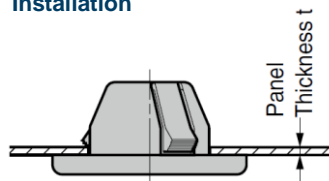
GAD-438 Snap-In Glide Base

Features

- For sheet metal
- Easy installation simply by pushing into the mounting hole
- For M8



Installation



Part No.	Material	Colour	Panel Thickness	Load Capacity (per piece)
GAD-438	POM	Grey	0.8 ~ 1.6	490 N 50 kg